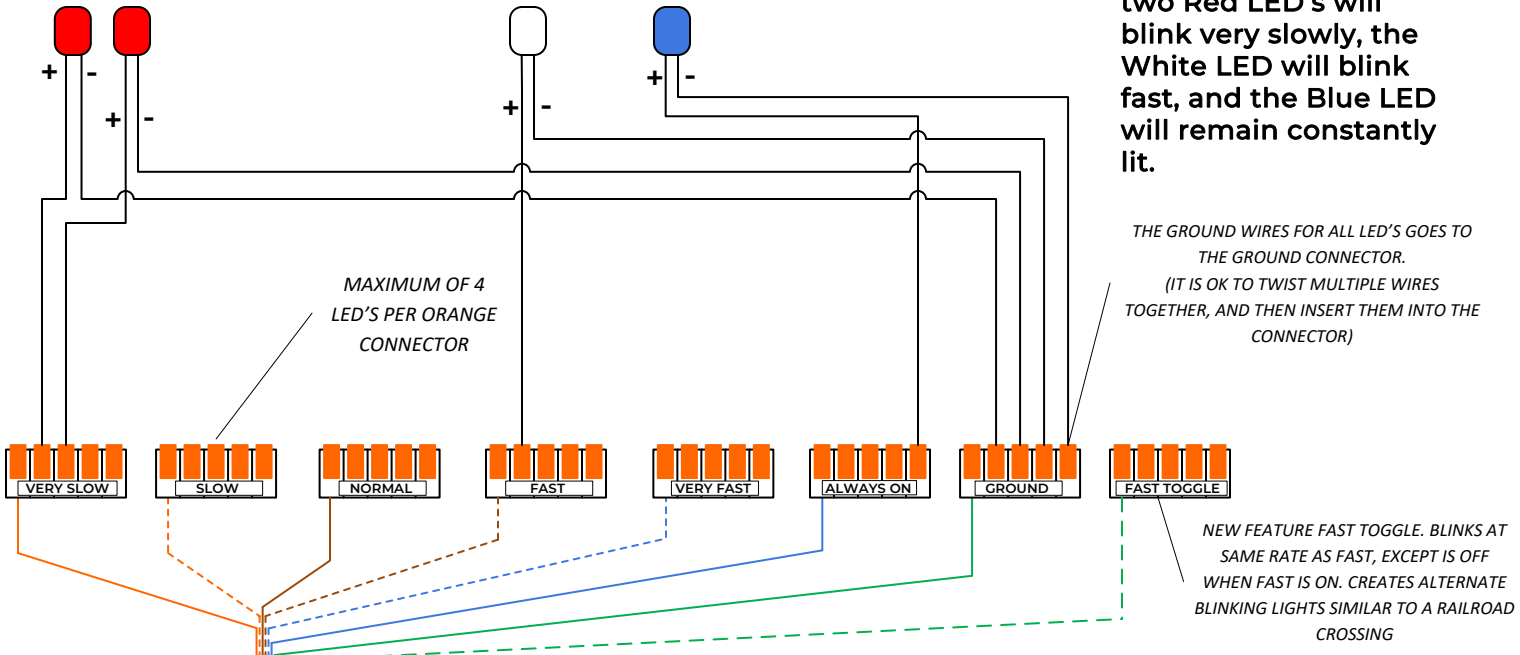




LED Plus 5 Speed Controller Instructions

12V LED'S WITH BUILT IN RESISTORS



In this example, the two Red LED's will blink very slowly, the White LED will blink fast, and the Blue LED will remain constantly lit.

Thank you for purchasing the Outer Rim simple LED Plus 5 Speed Controller ! This is designed to blink LED lights at 5 different rates, or always on, depending on which orange lever nut, you connect your LED's to. There is an additional FAST TOGGLE speed that is OFF when FAST is ON, to create alternating blinking lights. Be sure to use 12V LED's with a built in resistor. You can connect a maximum of 4 LED's to any one orange lever nut (speed), but do not exceed a total of 20 LED's. NOTE: Microcontroller is rated to handle a maximum of 10 Always ON LED's.

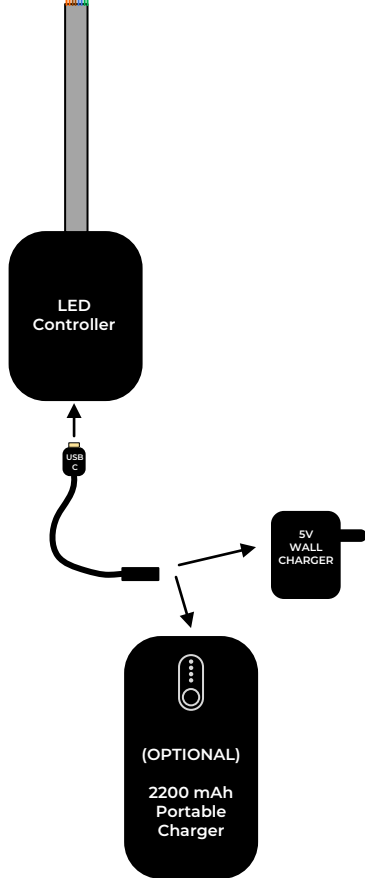
I recommend you make all of the LED connections first before applying power.

The kit includes a 5V USB wall charger and a 6' USB-C cable. If you need portability, you can order my 2000 mAh portable battery bank. Do NOT use a battery with greater than 5V 1A output

If you have questions about how to use this, you can email me at jamie@theouerrim.com

See how it works quickly by watching this video !

Go to <https://youtu.be/40-2GZZA0H4> or scan the QR Code





LED 5 Speed Controller Instructions

| PIN ASSIGNMENT | WIRE COLOR | TIMING |
|---------------------|------------|------------------------|
| PIN D1: ALWAYS ON | BLUE | ALWAYS ON |
| PIN D2: VERY SLOW | ORANGE | ON 10 SEC/OFF 10 SEC |
| PIN D3: SLOW | ORANGE/WH | ON 3 SEC/OFF 3 SEC |
| PIN D4: NORMAL | BROWN | ON 1.5 SEC/OFF 1.5 SEC |
| PIN D5: FAST | BROWN/WH | ON .75 SEC/OFF .75 SEC |
| PIN D6: VERY FAST | BLUE/WH | ON .3 SEC/OFF .3 SEC |
| PIN D7: FAST TOGGLE | GREEN/WH | OFF .75 SEC/ON .75 SEC |
| GND: GROUND | GREEN | GROUND (NEG -) |

Note: If powering your LED Controller with a portable battery pack, you must use one with a 5V – 1A output. Some of the “Fast Charger” models with outputs of 2.1A or higher, will cause the microcontroller to shut down after about 15 seconds and may damage the microcontroller. I have a compatible portable battery pack available on my website.

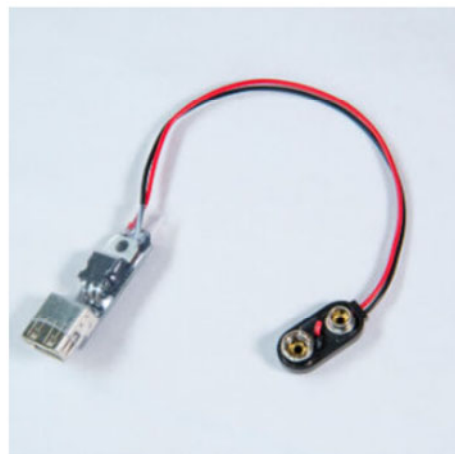
If you want to purchase your own LED’s, I recommend EDGELEC 12V 5mm LED’s with built in resistor. See link below. Do not exceed 200mAh.

https://www.amazon.com/gp/product/B07T9LGGJW/ref=ppx_yo_dt_b_asin_title_o02_s00?ie=UTF8&th=1

POWER OPTIONS FOR PORTABLE PROPS AVAILABLE AT WWW.THEOUTERRIM.COM



Portable Rechargeable Battery 2000 mHa



9V to USB Power Adapter